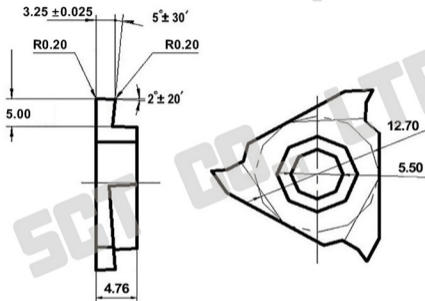


This drawing is for webpage display only



B20 <input type="checkbox"/> Free Cutting Steel	B09 <input type="checkbox"/> Cast Iron	B00 <input type="checkbox"/> Aluminium / Bronze	GBA Grooving Insert	Part Number	GBA43R325-020 <input type="checkbox"/> GBA43L325-020 <input type="checkbox"/>
H10 <input type="checkbox"/> Stainless Steel	Right Hand <input type="checkbox"/> Left Hand <input type="checkbox"/>	Notes PVD coated	SPECIAL CUTTING TOOLS CO., LTD. www.special-cutting-tools.com		