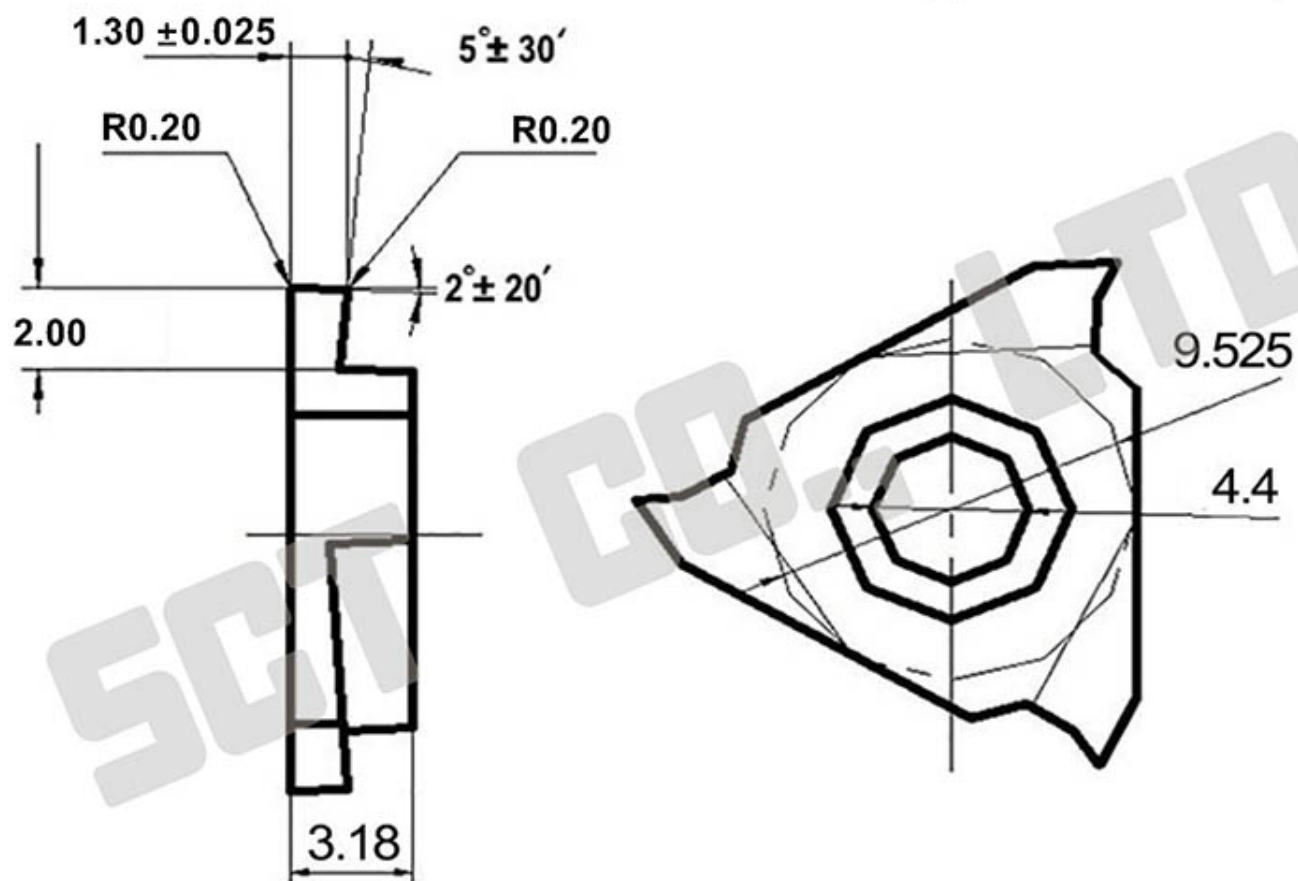


This drawing is for webpage display only !



|  |   |  |  |  |
|--|---|--|--|--|
| B20 <input type="checkbox"/><br>Free Cutting Steel | B09 <input type="checkbox"/><br>Cast Iron                                 | B00 <input type="checkbox"/><br>Aluminium / Bronze | GBA Grooving<br>Insert   | Part <a href="#">GBA32R130-020</a> <input type="checkbox"/><br>Number <a href="#">GBA32L130-020</a> <input type="checkbox"/> |
| H10 <input type="checkbox"/><br>Stainless Steel    | Right Hand <input type="checkbox"/><br>Left Hand <input type="checkbox"/> | Notes  | <b>SPECIAL CUTTING TOOLS CO., LTD.</b><br><a href="http://www.special-cutting-tools.com">www.special-cutting-tools.com</a>  |  |