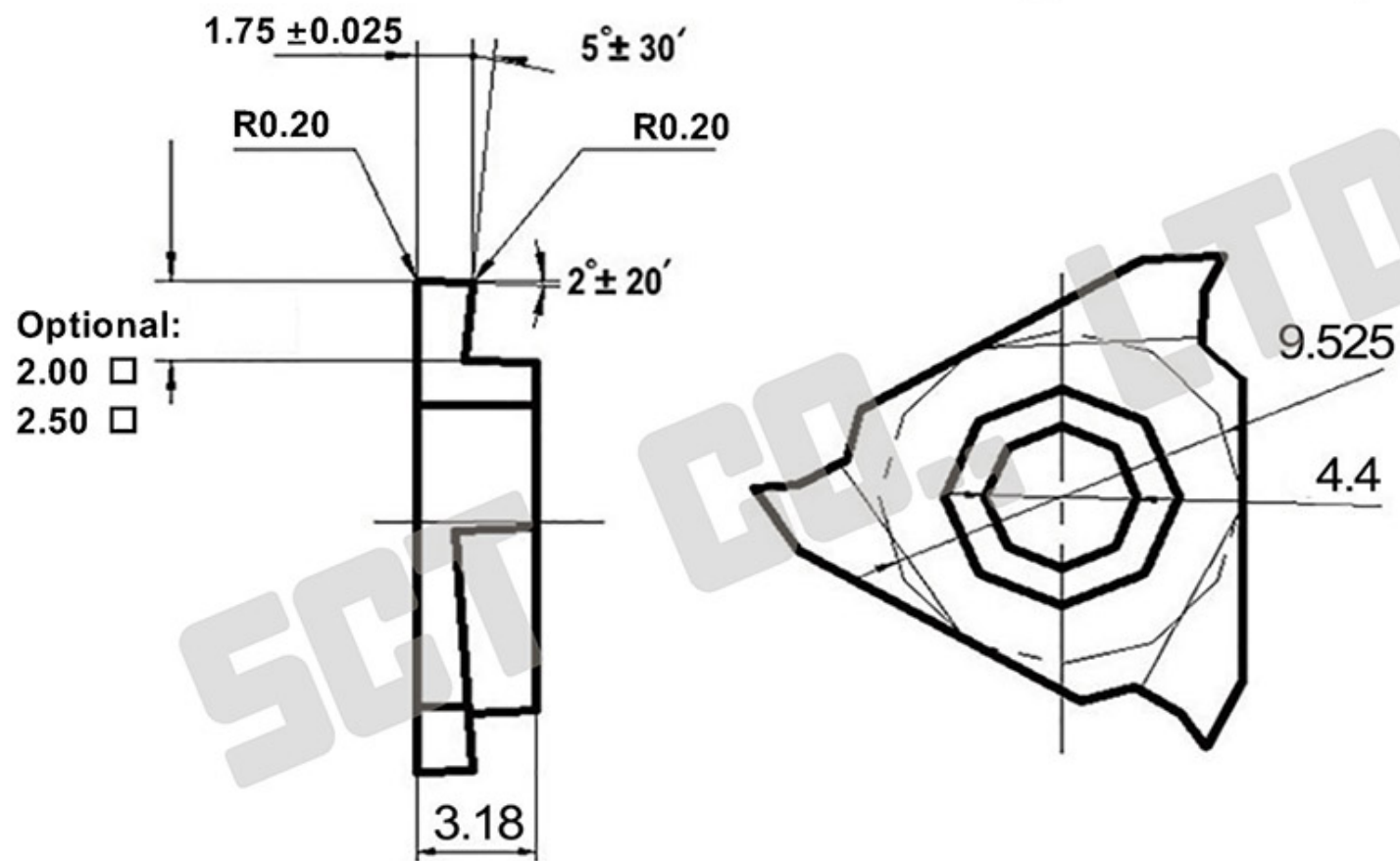


This drawing is for webpage display only !



<input type="checkbox"/> B20 Free Cutting Steel	<input type="checkbox"/> B09 Cast Iron	<input type="checkbox"/> B00 Aluminium / Bronze	<input type="checkbox"/> GBA Grooving Insert	Part <input type="checkbox"/> GBA32R175-020 Number <input type="checkbox"/> GBA32L175-020
<input type="checkbox"/> H10 Stainless Steel	<input type="checkbox"/> Right Hand <input type="checkbox"/> Left Hand	Notes	SPECIAL CUTTING TOOLS CO., LTD. www.special-cutting-tools.com 	