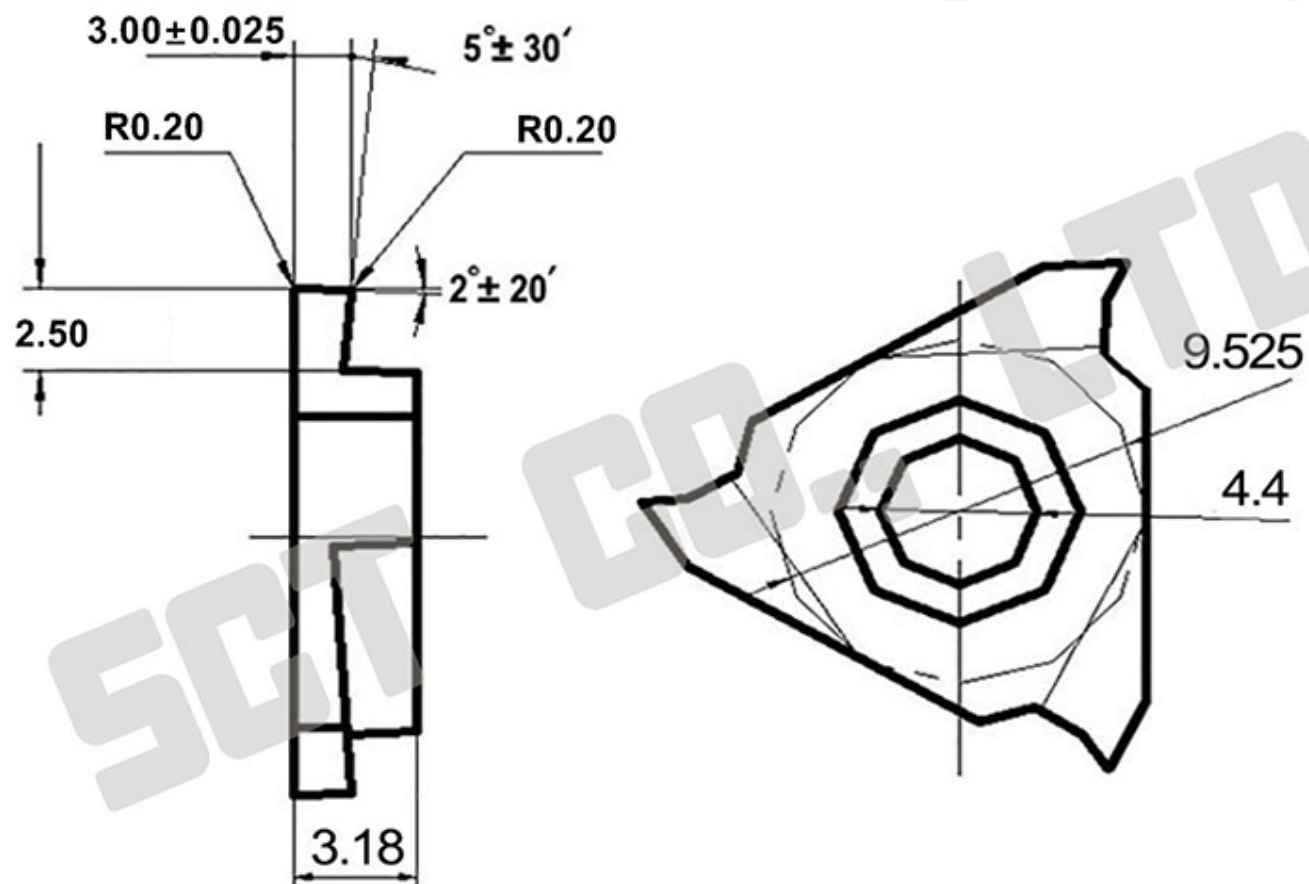


This drawing is for webpage display only !



| | | | | |
|--|---|--|--|--|
| B20 <input type="checkbox"/> Free Cutting Steel | B09 <input type="checkbox"/> Cast Iron | B00 <input type="checkbox"/> Aluminium / Bronze | GBA Grooving Insert | Part GBA32R300-020 <input type="checkbox"/> Number GBA32L300-020 <input type="checkbox"/> |
| H10 <input type="checkbox"/> Stainless Steel | Right Hand <input type="checkbox"/> Left Hand <input type="checkbox"/> | Notes | SPECIAL CUTTING TOOLS CO., LTD. www.special-cutting-tools.com  | |